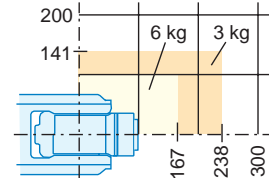
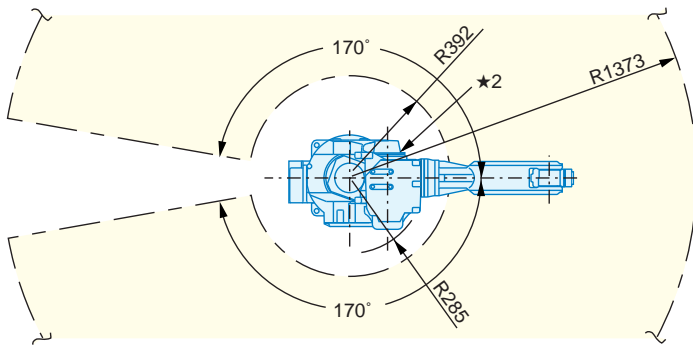
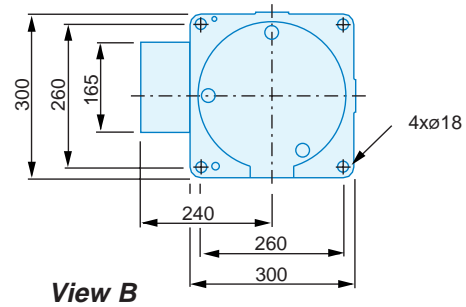
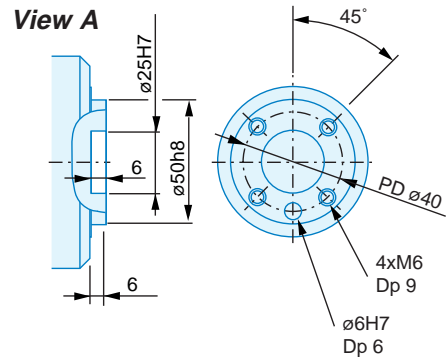
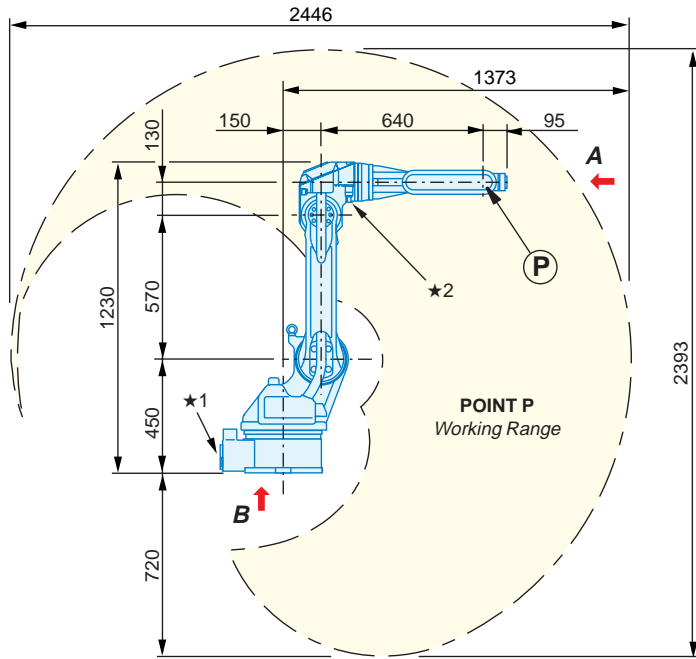


Industrial Robot

MOTOMAN-UP6





★	Air duct connector	Signal connector
1	1x PT 3/8, tap	16x wires + PE
2	1x PT 3/8, tap	16x wires + PE

Specifications

Controlled Axes	6	
Payload	6 kg	
Repetitive Positioning Accuracy	±0.08 mm	
Motion Range	S-axis (turning)	±170°
	L-axis (lower arm)	+155°, -90°
	U-axis (upper arm)	+190°, -170°
	R-axis (wrist roll)	±180°
	B-axis (wrist pitch)	±135°
Maximum Speed	T-axis (wrist twist)	±360°
	S-axis	140°/s
	L-axis	160°/s
	U-axis	170°/s
	R-axis	335°/s
	B-axis	335°/s
	T-axis	500°/s

Weight	130 kgs	
Power Supply	2 kVA	
Allowable Moment	R-axis	11.8 Nm (1.2 kgf·m)
	B-axis	9.8 Nm (1.0 kgf·m)
	T-axis	5.9 Nm (0.6 kgf·m)
Allowable Inertia	R-axis	0.24 kg·m ²
	B-axis	0.17 kg·m ²
	T-axis	0.06 kg·m ²
Ambient Conditions	Temperature	0 to 45°C
	Rel. Humidity	20 to 80% RH
	Vibration	0.5G or less
Others	<ul style="list-style-type: none"> Free from excessive electrical noise. Free from corrosive gas or liquid, or explosive gas. 	



MOTOMAN ROBOTICS EUROPE AB

Box 504 • SE-385 25 Torsås • Sweden
 Tel: +46-486-48800 • Fax: +46-486-41410
 www.motoman.se

Reg 7Q-01-04-99GB

Group Companies: **France:** MOTOMAN Robotics, Nantes +33-2-40131919, **Germany:** MOTOMAN Robotec, Allershausen +49-8166-90-0 • MOTOMAN Robotec, Frankfurt +49-6173-6077-30, **Great Britain:** MOTOMAN Robotics, Banbury +44-1295-272755, **Italy:** MOTOMAN Robotics, Modena +39-59280496, **Netherlands:** MOTOMAN Benelux, Breda +31-76-5424278, **Slovenia:** RISTRO, Ribnica +386-61-861113, **Spain:** MOTOMAN Robotics, Barcelona +34-3-6303478, **Sweden:** MOTOMAN Robotics Europe, Torsås +46-486-48800 • MOTOMAN Mecatron Robotic Systems, Kalmar +46-480-444600

Distributors: **Czech Republic:** MGM Spol, Tabor +420-361-254571, **Denmark:** HN Automatic, Vejle +45-79428000, **Finland:** MOTOMAN-Robottit, Turku +358-22145600, **Greece:** Kouvalias Industrial Robots, Kallithea +30-1-95892436, **Norway:** Robot-Teknikk +47-32217830, **Portugal:** Electro-Arco, Amadora +351-14968160, **Switzerland:** Geiger Handling, Schwarzenburg +41-31-7343111 • Messer SAG, Dällikon +41-18471717